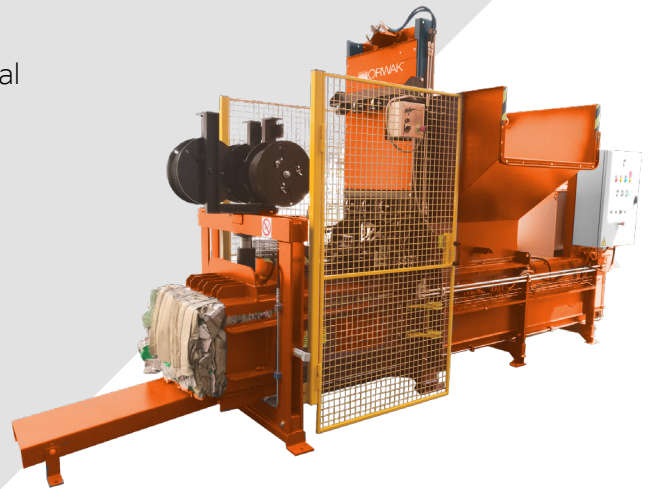


ORWAK HORIZONTAL 15 AT

Our fully automated horizontal 15 ton baler provides effective compaction where space is limited. The baler can be delivered in three parts for easier internal transportation. We provide well-proven technology for special demands! The automatic tying and the continuous baling enable multi-shift operation.



**AUTOMATIC
SOLUTION**



**CAPACITY
CARDBOARD**



**BALE WEIGHT
CARDBOARD**

ORWAK BENEFITS



MORE PRODUCTIVE USE OF TIME

Less time spent on waste handling, more time for your core activities!

MORE SPACE & ORDER

Our balers rapidly minimize the space the waste takes up, keeping aisles free and tidy.

LESS COSTS, MORE VALUE

More compaction = less waste volume to transport. Fewer transports required results in lower transportation costs and reduced CO₂ emissions. Sorting at source yields a higher quality of waste material for recycling.

WHY ORWAK HORIZONTAL?

- Effective large-scale waste handling
- Improved internal and external logistics
- Safe and comfortable working environment
- Excellent control over the throughput
- Increased income when delivering high-quality bales directly to the recycling industry.

ORWAK
PART OF **SULO** GROUP

ORWAK HORIZONTAL 15 AT

Smart fully automated solution

COMPACT AND CLEVER DESIGN

This compact baler fits where you need it to be! On demand, it can also be delivered in three parts for easier transportation to the installation site.

CONTINUOUS FEEDING AND OUTPUT

A completely automated waste management solution designed for continuous infeed, automatic horizontal or vertical strapping system with adjustable wire links, which enables you to yield optimal output.



OPTIMAL FEATURES

- Well proven technology
- Auto start (photocell) as standard
- High speed: fast throughput
- Adjustable bale length

HORIZONTAL 15 AT IS OPTIMIZED FOR:

PAPER

- Paper sacks
- Shredded paper
- Cardboard

PLASTIC

- PET bottles

A VARIETY OF INFEED OPTIONS

To fit the conditions in your environment, our horizontal balers offer a wide choice of infeed systems: manual, by bin, air-transport and conveyor belt.

Our balers can also easily be equipped with shredders, bottle presses, rufflers, strippers and different types of hoppers.

OPTIONS

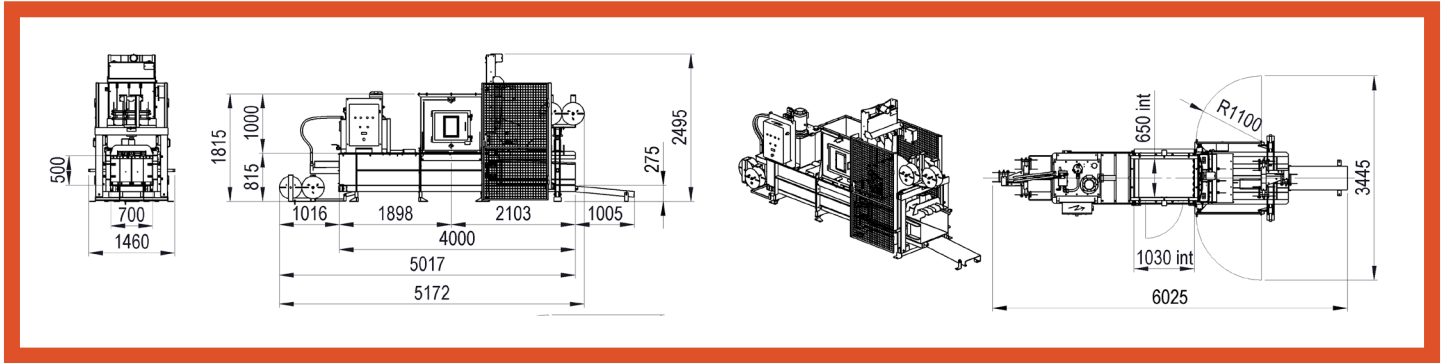
- Bin lifter
- Conveyor belt
- Cooling and heating systems

More special options on demand

DIMENSIONS & SPECIFICATIONS

TECHNICAL SPECIFICATIONS

| MACHINE DIMENSIONS (LXWXH) EXCL BALE EXIT | FEED OPENING | INFEED CAPACITY | PRESS FORCE | MOTOR | SURFACE PRESSURE | CYCLES PER MINUTE | CHANNEL SECTION | OIL TANK CAPACITY |
|---|--------------|---------------------|-------------|--------------|-------------------------|-------------------|-----------------|-------------------|
| 5172x1460x2495 mm | 1030x650 mm | 0.35 m ³ | 15 ton | 7.5 kW/10 Hp | 4.28 kg/cm ² | 4 | 700x500 mm | 200 L |



TECHNICAL SPECIFICATIONS

| TOTAL MACHINE WEIGHT | THEORETICAL OUTPUT | LOADING OUTPUT | AUTOMATIC BINDING | BALE SIZE (ADJUSTABLE LENGTH) | BALE WEIGHT CARDBOARD <i>DEPENDS ON BALE LENGTH</i> |
|----------------------|----------------------|----------------------|-------------------|-------------------------------|--|
| 2800 kg | 84 m ³ /h | 50 m ³ /h | 3 wires Ø 2.7 | 700x500x600-1200 mm | 80-150 kg |

We reserve the right to make changes to specifications without prior notice. Bale weights are dependent upon material type.

ORWAK AB

Svetsaregatan 4
S-576 33 Sävsjö
SWEDEN
Tel: +46-(0)382-15700
info@orwak.com

ORWAK.COM

